



TC10

Sealed Enclosure Systems

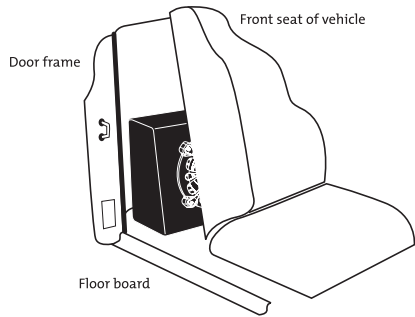
Congratulations! You have just purchased one of the most flexible subwoofers yet from KICKER. Your Comp sub is designed to give you great bass performance in a wide variety of applications. These installations instructions will help you get the most out of your new KICKER sub. Thanks for buying KICKER. Enjoy!

Installation Instructions

These enclosures combine KICKER's Comp subwoofers with computer designed and human-fine-tuned enclosures. They offer a level of bass performance never before thought possible from a commercially available enclosure. The TS Series enclosures are covered in carpet for protection and pre-loaded with a Comp 10 inch woofer.

KICKER TC enclosures are designed to fit behind the seat of a pickup truck. They are engineered to provide the best bass response when firing into the back of the truck seat.

Plug your subwoofer speaker wires into the terminals located on the back of the box; the red connectors are positive and the black connectors negative. Hook the other end of these wires to your subwoofer amplifier in accordance with its owners' manual.



Specifications

Model	Woofers	Imp.	Power Handling (Watts)	Top Depth (in., cm)	Bottom Depth (in., cm)	Height (in., cm)	Width (in., cm)
TC10	Comp 10	4	125	4-1/2", 11.43	7-3/4", 19.69	15", 38.1	22", 55.88

SPEAKER SYSTEMS LIMITED WARRANTY

Kicker warrants this product to be free from defects in material and workmanship under normal use for a period of **THREE (3) MONTHS** from date of original purchase. When purchased from an Authorized KICKER Dealer it is warranted for **ONE (1) YEAR** from date of original purchase. If the product is labeled "B Stock" and purchased from an Authorized KICKER Dealer, it is warranted for **THREE (3) MONTHS** from date of purchase, regardless of place of installation. Should service be necessary under this warranty for any reason due to manufacturing defect or malfunction during the warranty period, Kicker will replace or repair (at its discretion) the defective merchandise with equivalent merchandise at no charge. Warranty replacements on "B-Stock" merchandise may have cosmetic scratches and blemishes. Discontinued products may be replaced with more current equivalent products.

This warranty is valid only for the **original purchaser** and is not extended to owners of the product subsequent to the original purchaser. Any applicable implied warranties are limited in duration to a period of the express warranty as provided herein beginning with the date of the original purchase at retail, and no warranties, whether express or implied, shall apply to this product thereafter. Some states do not allow limitations on implied warranties, therefore these exclusions may not apply to you.

This warranty gives you specific legal rights; however you may have other rights that vary from state to state.

WHAT TO DO IF YOU NEED WARRANTY OR SERVICE

Defective merchandise must be returned to your local Authorized Stillwater Designs (Kicker) Dealer for warranty. Assistance in locating an Authorized Dealer can be obtained by writing or calling Stillwater Designs direct. You can confirm that a dealer is authorized by asking to see a current authorized dealer window decal.

If it becomes necessary for you to return defective merchandise, call the Kicker Customer Service Department at (405)624-8510 for a Return Authorization (RMA) number. Package all defective items in the original container or in a package that will prevent shipping damage, and return to

Stillwater Designs, 5021 North Perkins Road, Stillwater, OK 74075

The RMA number must be clearly marked on the outside of the package. Return only defective components. Return of entire cabinets, system packs, pairs, etc. increases your return freight charges. Non-defective items received will be returned freight collect.

Include a dated **proof-of-purchase** stating the Customer name, Dealer name, product purchased and date of purchase. Warranty expiration on items without proof-of-purchase will be determined from type of sale and the manufacturing date code. Freight must be prepaid; items received freight collect will be refused.

Failure to follow these steps may void your warranty. Any questions can be directed to the Kicker Customer Service Department at (405)624-8510.

WHAT IS NOT COVERED?

This warranty is valid only if the product is used for the purpose for which it was designed. It does not cover:

- Damage due to improper installation
- Subsequent damage to other components
- Damage caused by exposure to moisture, excessive heat, chemical cleaners, and/or UV radiation
- Damage through negligence, misuse, accident or abuse. Repeated returns for the same damage may be considered abuse.
- Any cost or expense related to the removal or reinstallation of product
- Speakers damaged due to amplifier clipping or distortion
- Items previously repaired or modified by any unauthorized repair facility
- Return shipping on non-defective items
- Products with tampered or missing barcode labels
- Products returned without a Return Authorization (RMA) number
- Freight Damage
- The cost of shipping product to Kicker
- Service performed by anyone other than Kicker
- Speaker with any foreign caulk used for gasket material

HOW LONG WILL IT TAKE?

Kicker strives to maintain a goal of 24-hour service for all returns. Delays may be incurred if lack of replacement inventory or parts is encountered.

INTERNATIONAL WARRANTY

Contact your International Kicker dealer or distributor concerning specific procedures for your country's warranty policies.



P.O. Box 459 • Stillwater, Oklahoma 74076 • U.S.A. • 405 624-8510

STILLWATER
Designs®

WARNING:

KICKER drivers are capable of producing sound levels that can permanently damage your hearing! Turning up a system to a level that has audible distortion is more damaging to your ears than listening to an undistorted system at the same volume level. The threshold of pain is always an indicator that the sound level is too loud and may permanently damage your hearing. Please use common sense when controlling volume!